

AEVA Tasmania Branch Marquee

The marquee now owned by the Tasmanian Branch of AEVA has an 8 metre by 4 metre rectangular footprint , a height of 3 metres along the centre ridge line and a height of 2 metres along the eaves.

The original suppliers, Trade-Tested, give the following description:

<https://www.tradetested.co.nz/home-outdoor-living/marquees-events/marquees/heavy-duty/marquee-4m-x-8m-heavy-duty-pvc.html#reviews>

SPECIFICATIONS

Size: 4m x 8m

Eaves height: 2m

Top height: 3m

Number of end zip doors: 2 (1 at each end)

Number of windows: 8 (4 each side)

Total weight: 132.1kg

CAPACITY

Seated at round tables: 30

Standing (buffet): 46

FEATURES

- 500g/m² PVC canopy
- 380g/m² PVC sidewalls
- Flame-retardant, rip-stop fabric
- Plastic welding on all seams
- 38mm powder coated steel tubes frames
- 42mm powder coated steel tubes connectors
- 1.0mm thick steel tube, 1.2mm thick steel connectors
- 15cm ground overlap and corner strips for wind and water resistance
- Ground bar kit included
- Corner ropes and pegs included with marquee
- Zips and heavy duty eyelets
- Easy to assemble

ORIGINAL PACKAGING

Carton 1: 69cm x 59cm x 18cm (26.1kg)

Carton 2: 69cm x 59cm x 15cm (19kg)

Carton 3: 68cm x 58cm x 21cm (20.5kg)

Carton 4: 220cm x 18cm x 12.5cm (19kg)

Carton 5: 199cm x 25.5cm x 12.5cm (29kg)

Carton 6: 199cm x 25.5cm x 12.5cm (28.1kg)

Total Packaged Weight: 141.7kg

Questions and answers

q: Can you have just the roof up without the walls, are the walls separate from the roof?

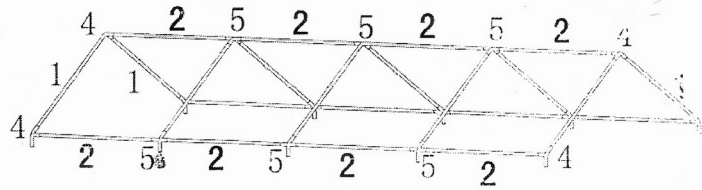
a: Yes you can and yes they are!

By Trade Tested on April 16, 2019

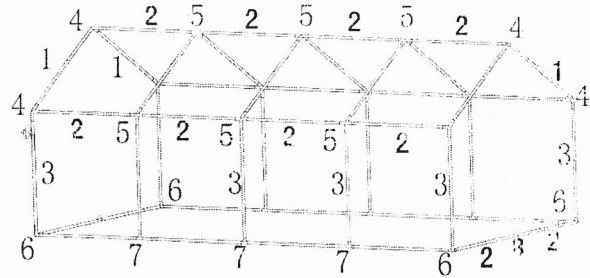
4 x 8 PARTY TENT

I

Select an area of flat ground for the tent. Unpack the carton and check all parts including tubes, tent and accessories... etc. are present. Assemble the rooftop framework by joining the (4,5,6,7,8) Connectors together with poles (1,2,3). Ensure the tension screw is fixed to every pole tightly. Use the turn buckle and steel wire to tighten the frame. Before you put all on, do not tighten them.

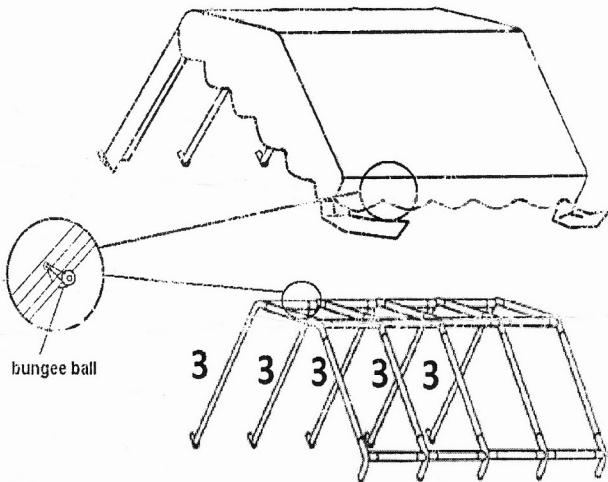


II Attach one end of the support poles (3) to the roof joints (4,5).



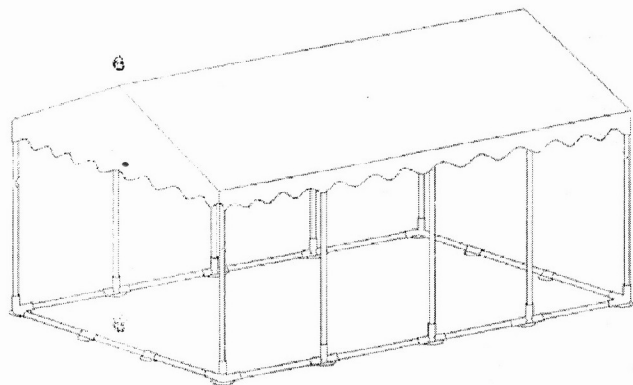
III

Place roof on frame, and attach with bungee fixings, take care not to over tension bungee, as this may cause difficulty correctly fitting roof.



IV

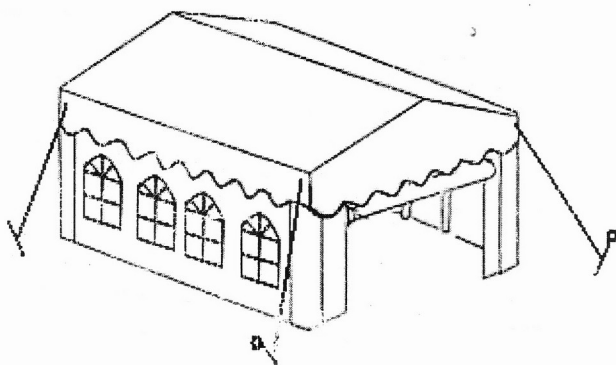
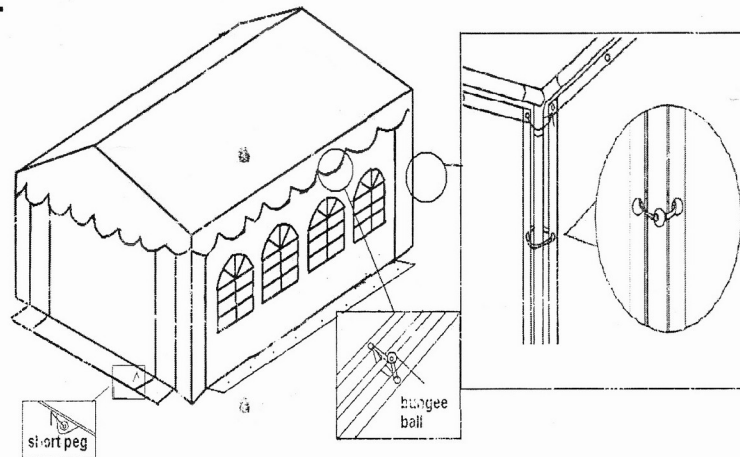
Attach the other 5 supporting poles (3) to the joints (4,5), build-up the framework. Use the 6x180mm peg to fix each pole into the ground and use the hook to fix the leg cover to the leg.



V

4 x 8 PARTY TENT

Spread the wall and door panels, and attach to framework using the bungee cords. Clasp the frame to the metal eyelets (located over the wall and door panels) to ensure stability. Also use the 4x180mm pegs to fix the doors and walls to the ground.



VI

Attach Guy line to all corners of tent and fix to ground using ground pegs 8x300mm.

Warning

1. Take note that the tent needs to be handled carefully to avoid damage.
2. Do not force the frame, as there may be damage in the process.
3. Tents are meant as temporary shelter and must be evacuated under extreme weather conditions.
4. Please select a suitable site for the tent to avoid damage to underground sprinkler systems, water, gas or electrical lines.
5. Whilst this product is Fire retardant care should be taken. Keep away from naked flame and other heat sources.

All images used are for illustration purposes only and may not represent an individual product.

The following image of a similar erected marquee using all window and door panels was copied from the original supplier's web site:



The above information was supplied by the original supplier.

The following information was developed by AEVA Tasmania Branch.

Labelled Parts Inventory

Part No.	Quant	Description
1	10	gable roof tubular poles 2159 mm long; 5 on each side
2	24	ridge, eave & base tubular roof poles 1940 mm long; 12 in roof, 12 in base
3	10	vertical side tubular poles with row of 4 holes in one side at top 1940 mm long; 5 on each side
4	6	end roof pole connectors; 3 prongs, 2 at 120 degrees
5	9	middle roof pole connectors; 4 prongs, 2 at 120 degrees
6	4	bottom corner pole connectors; 3 prongs at 90 degrees
7	6	bottom side-middle connectors; 3 prongs in line
8	2	bottom end-middle connectors; 2 prongs in line (vertical cut off level with horizontal)

The eye bolts and the bungee balls were not counted.

See the Appendix for images of various components.

In the following description, the relevant images are placed after the text.

The roof frame should be assembled first. We laid out 10 of No.1 poles and 12 of No.2 poles in their approximate positions and placed 3 of the No.4 connectors at each end and the 9 of the No.5 internal connectors in their approximate positions.



Starting from one end, the poles were slid into the connectors. The screws were then placed into the connectors but only very loosely, not tightened.



The turnbuckle was then used to gently tighten the roof frame along its length. The ends of the roof were observed to come together significantly as the turnbuckle was twisted. The vinyl roof is a very tight fit over the roof frame so if it is not properly and tightly assembled, the roof will not fit correctly and will be difficult to attach to the frame using the bungee balls.

The same result as the turnbuckle could probably be achieved by teams of two or three people pushing at each end of the roof.

Force, such as hammering, should not be used. Gentle tapping with a soft mallet might be OK in helping bring the roof together.

Once the roof poles have reached their final position in the connectors, the screws may be tightened.



5 side wall poles (No.3) are then placed under one side of the roof. This allows access under the vinyl roof as it is installed. The poles can be installed by two people lifting initially at gables 2 and 4 to minimise frame distortion.



The vinyl roof must be carefully placed over the frame so that it is central both laterally and end to end so that the bungee balls holding the roof to the frame are all under equal tension at both sides and at each end. The bungee balls that hold the roof to the frame may now be attached.



The roof frame plus the vinyl roof is significantly heavier to lift than the frame alone but raising it is needed to install the second set of 5 vertical poles on the opposite side. Again, lifting at properly spaced positions along the roof edge minimises frame distortion.



The next stage is to decide which of the window wall panels and end zip doors are required. These are attached to the roof frame at their top, to the wall poles at their sides and to ground bars at their base. All window panels and end zip doors are independent so their installation can be chosen to match particular requirements. Ground bars represent a tripping hazard so they should only be in place when the associated window or door is also in place. Ground bars have an additional use in helping correctly positioning the wall poles.

We chose to have window panels only on one side (western) of the marquee but we were able to use ground bars along both sides of the marquee as the garden beds prevented cross access by people. We placed the window panels under and around the ground bars as we did not have the space to spread them sideways. We did not use end zip doors or ground bars at either end of the marquee allowing people to freely walk through. In some situations, not installing all the ground bars might reduce the structural strength of the marquee so anti-trip measures should be placed around the ground bars.



Guy ropes at each of the four corners hold the marquee in place. The degree of exposure of the site to strong winds, the firmness of the soil and the possible presence of underground utilities would influence how and to what the guy ropes are attached. Proper attachment of the corner guy ropes is extremely important to prevent injury and damage resulting from movement of the marquee in strong winds.

The wall pole - ground bar connectors can be pegged to the ground depending on the firmness of the soil and the possible presence of underground utilities. Pegging limits lateral pole movement.

Appendix

Individual Parts



Images of all tube connectors, bungee balls and eyebolts.



Roof end connectors (Part No. 4).



Roof intermediate connectors (Part No. 5).



Corner wall pole to ground bar connectors (Part No. 6).



Intermediate wall pole to ground bar connectors (Part No. 7).



End ground bar connectors (Part No. 8).



Eye bolt and bungee balls.



Wall pole with four side holes near top (Part No. 3).